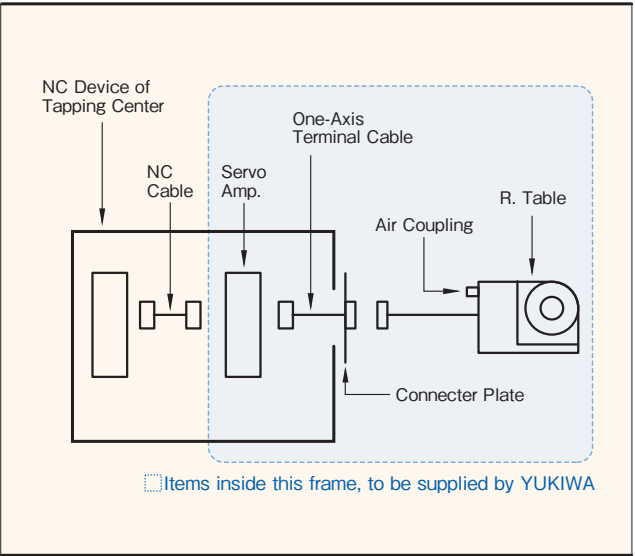


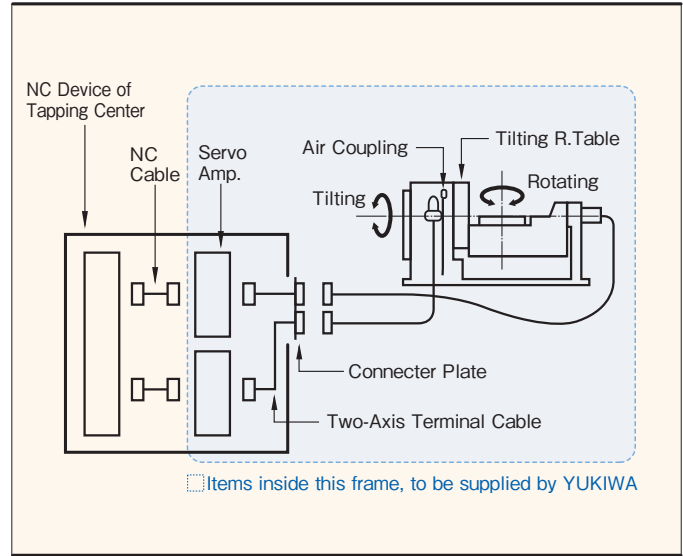
Composition of CNC Rotary Tables

- For the CNC rotary tables to be mounted on Brother CNC Tapping Centers, are available two models, one is of BTC specifications and the other, BQT specifications for the quick tables.
- BTC specifications are composed with rotary table, servo amplifier and cables, and BQT specifications, with rotary table, servo amplifier, relay unit, terminal box and cables, and each of them designed to be most suitable and easy for interfacing to TC machines.

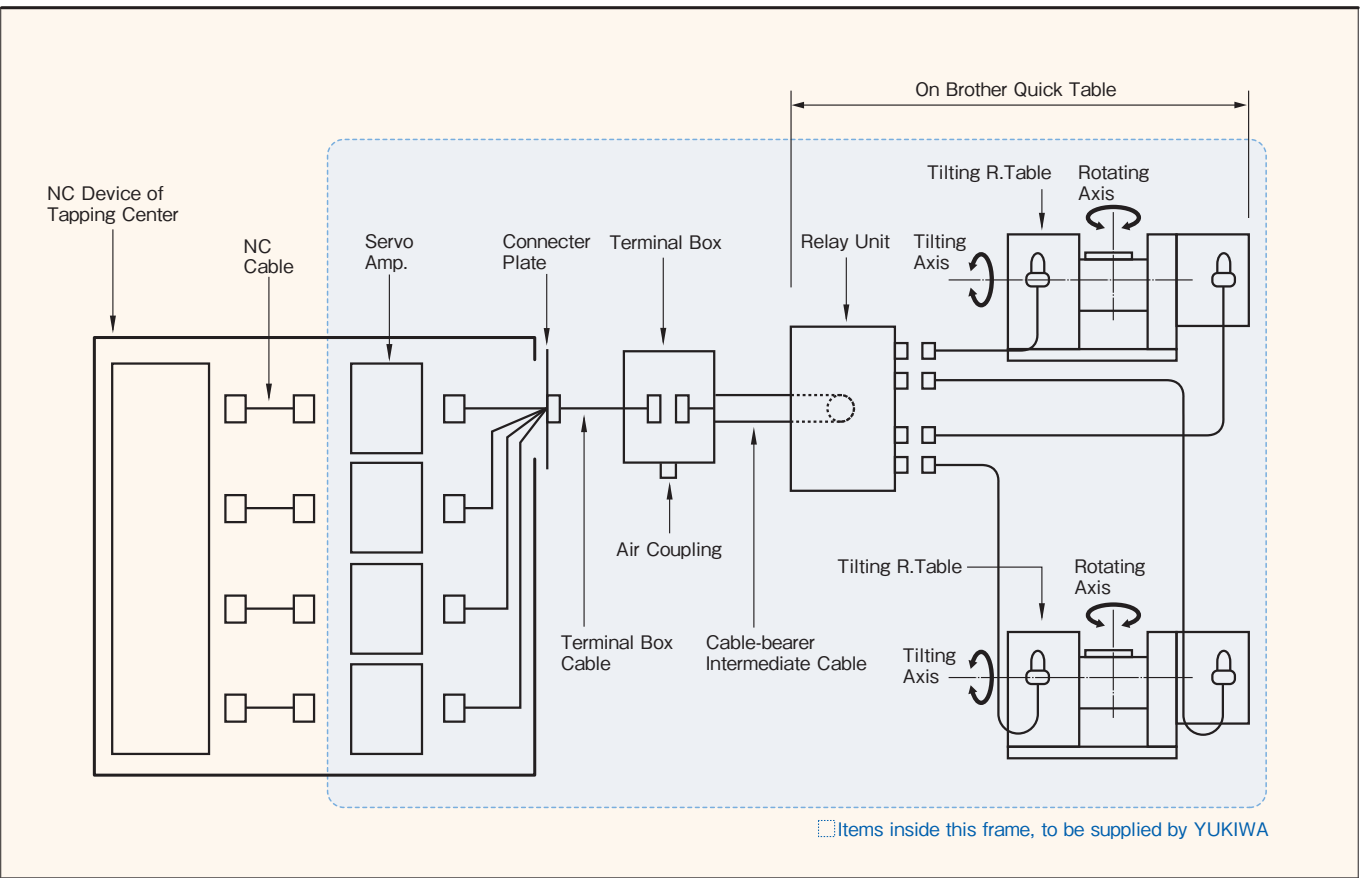
Composition of JNC (H) · YNC (P) / BTC



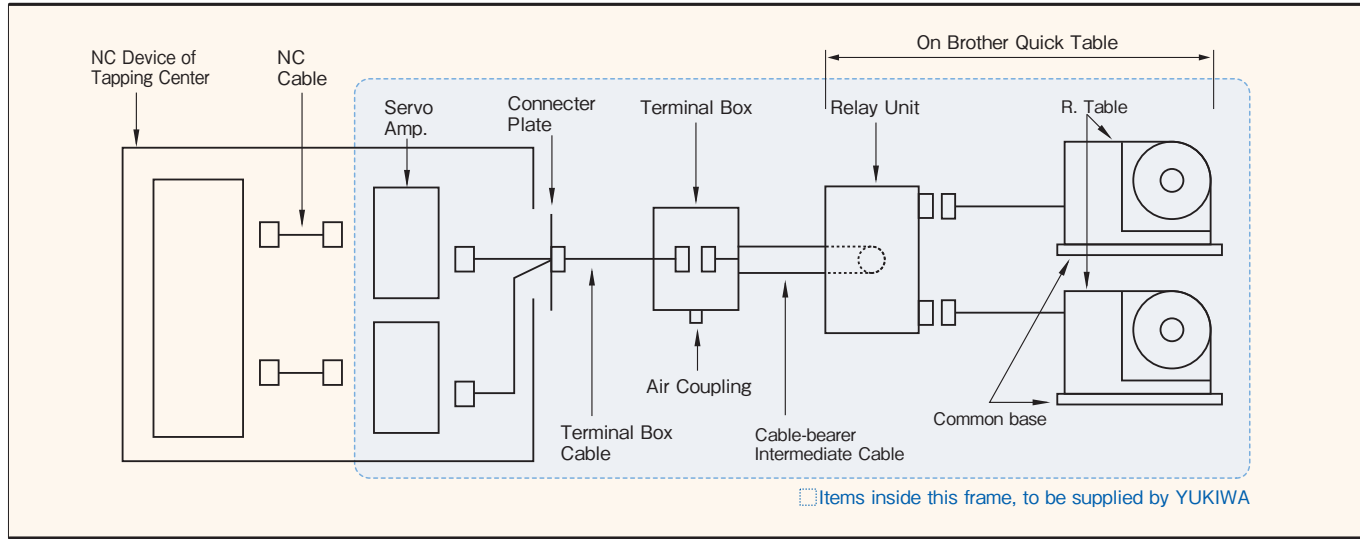
Composition of TNT · TRB (H) / BTC



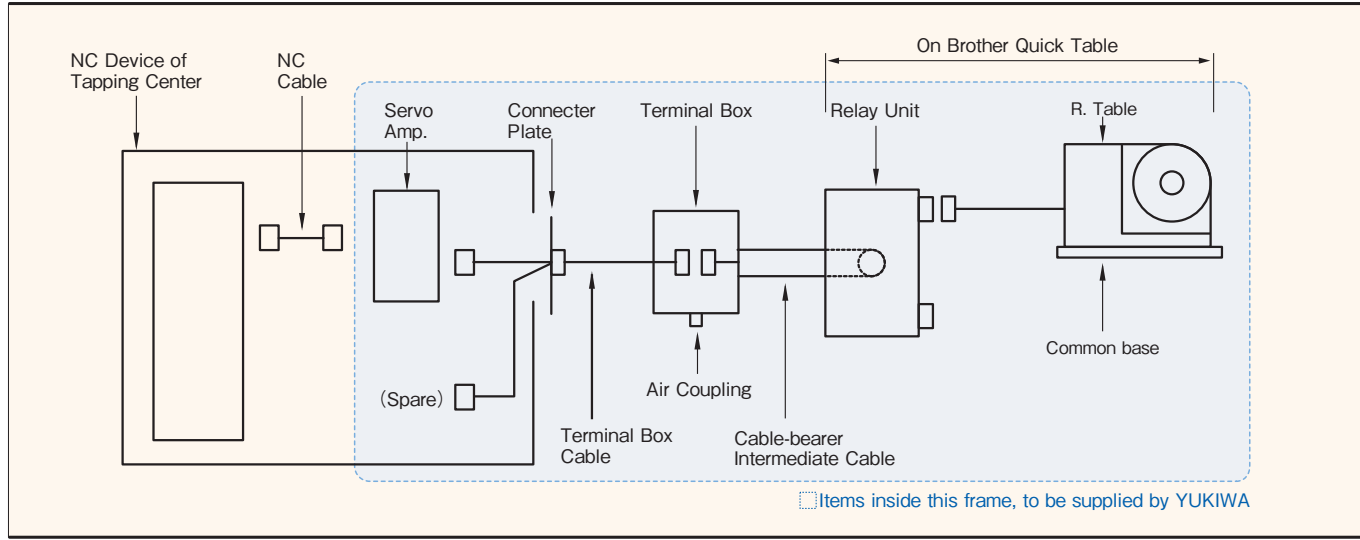
TNT/BQT Two rotary tables, one each on Quick Table



Composition of JNC (H) · YNC (P) / BQT



JNC (H) · YNC (P) / BQT One rotary table on Quick Table



TNT / BQT One rotary table on Quick Table

