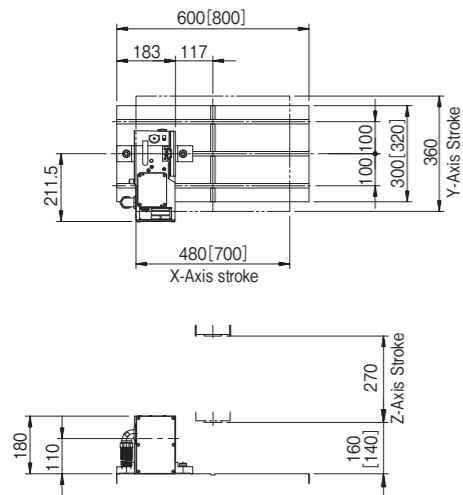


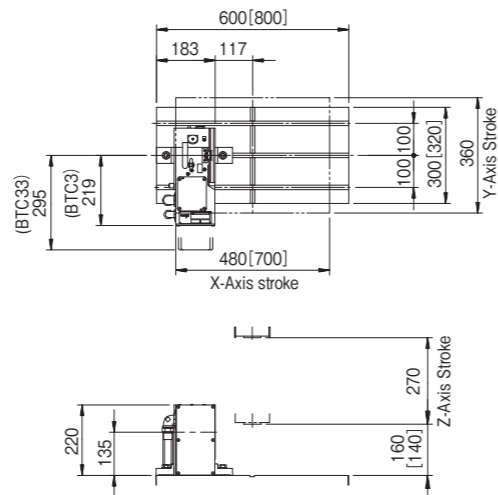
TC-S2A, TC-S2A-0, TC-S2B, TC-S2B-0

JNC140L-BTC3



[] : TC-S2A(B)-0

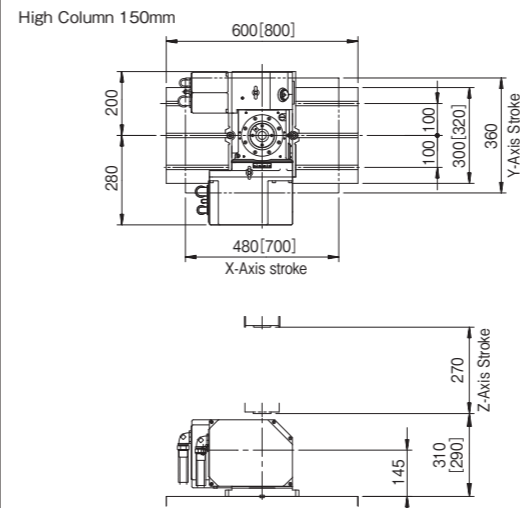
JNC170L-BTC3
JNC(H)170L-BTC33



[] : TC-S2A(B)-0

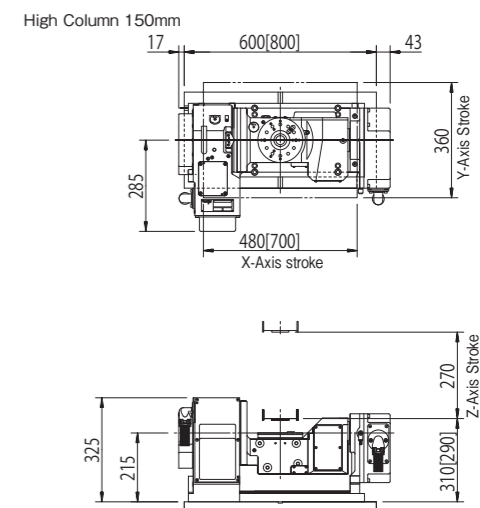
TC-S2A, TC-S2A-0, TC-S2B, TC-S2B-0

TNT130L-BTC3



[] : TC-S2A(B)-0

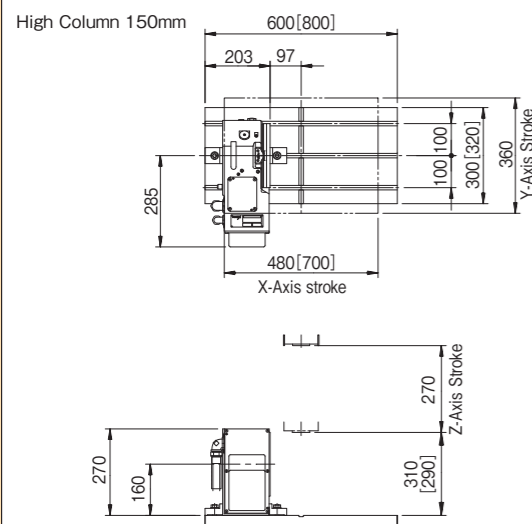
TRB(H)140L-BTC3



[] : TC-S2A(B)-0

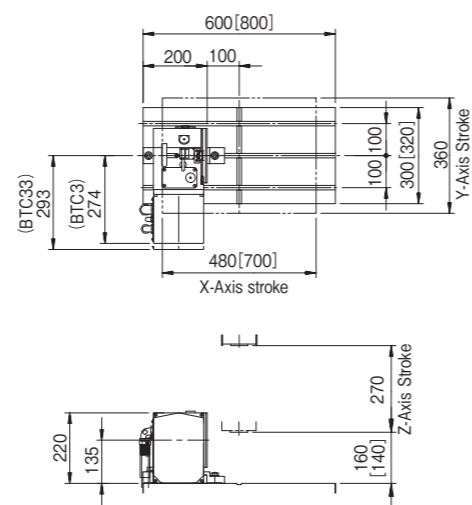
TC-S2A, TC-S2A-0, TC-S2B, TC-S2B-0

JNC(H)200L-BTC33



[] : TC-S2A(B)-0

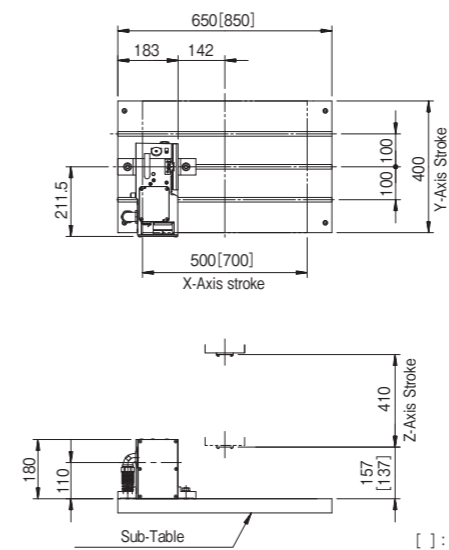
YNC(P)170L-BTC3/33



[] : TC-S2A(B)-0

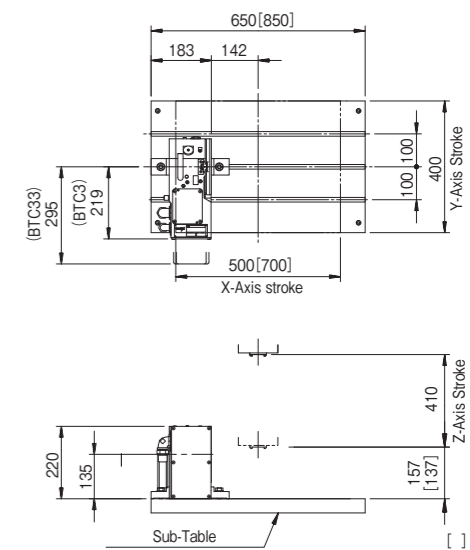
TC-22A, TC-22A-0

JNC140L-BTC3



[] : TC-22A-0

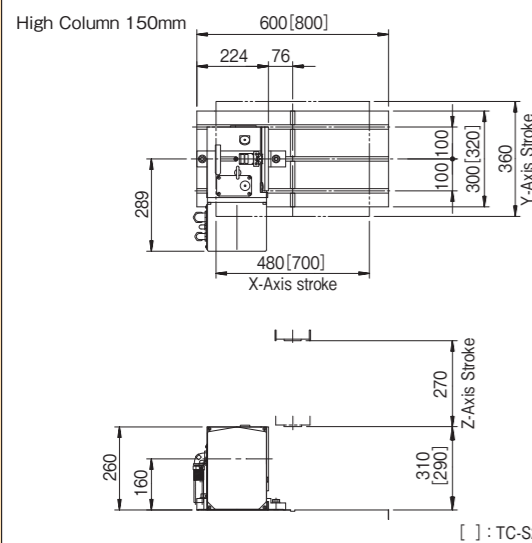
JNC170L-BTC3
JNC(H)170L-BTC33



[] : TC-22A-0

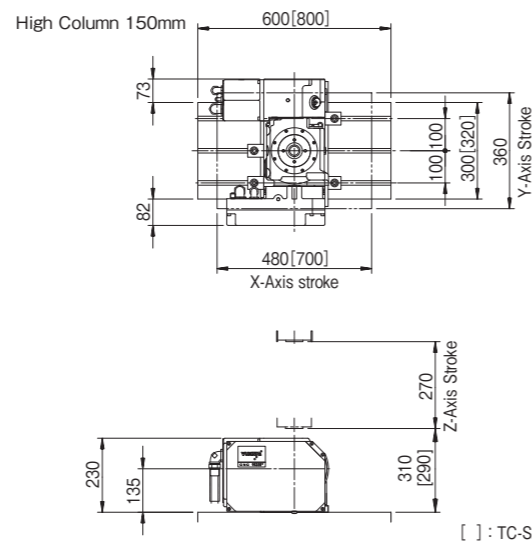
TC-S2A, TC-S2A-0, TC-S2B, TC-S2B-0

YNC(P)200L-BTC33



[] : TC-S2A(B)-0

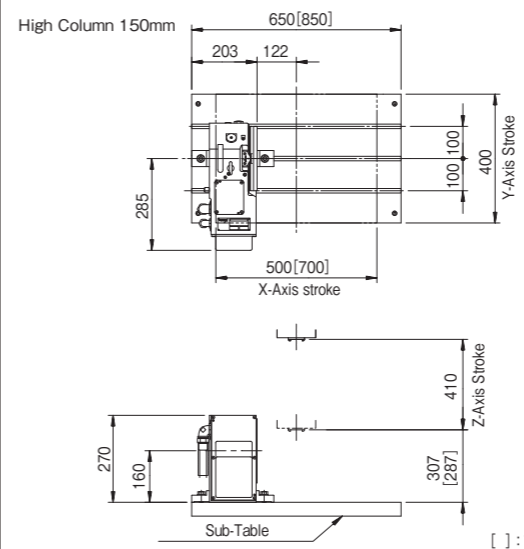
TNT100L-BTC3



[] : TC-S2A(B)-0

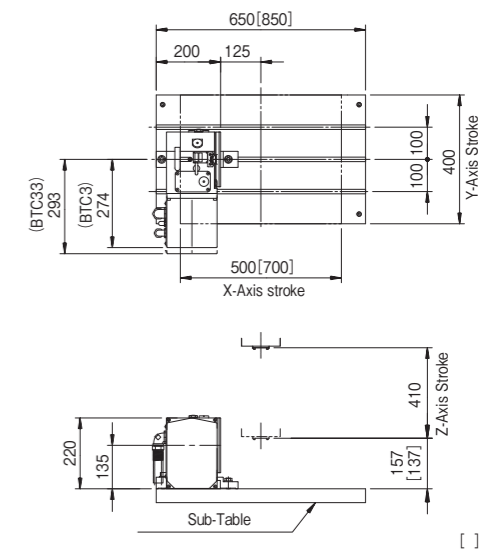
TC-22A, TC-22A-0

JNC(H)200L-BTC33



[] : TC-22A-0

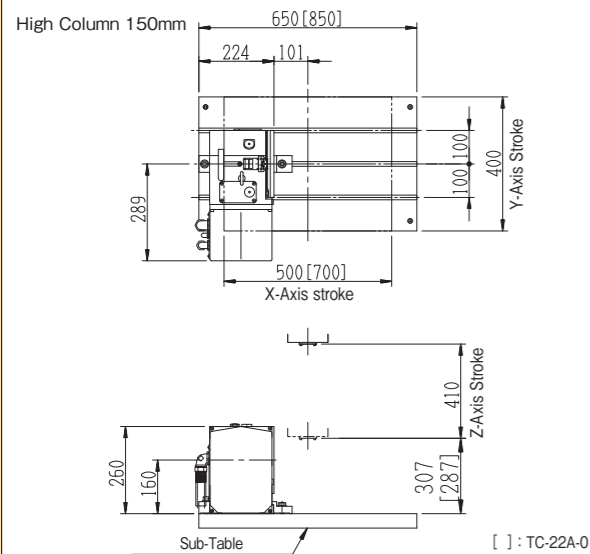
YNC(P)170L-BTC3/33



[] : TC-22A-0

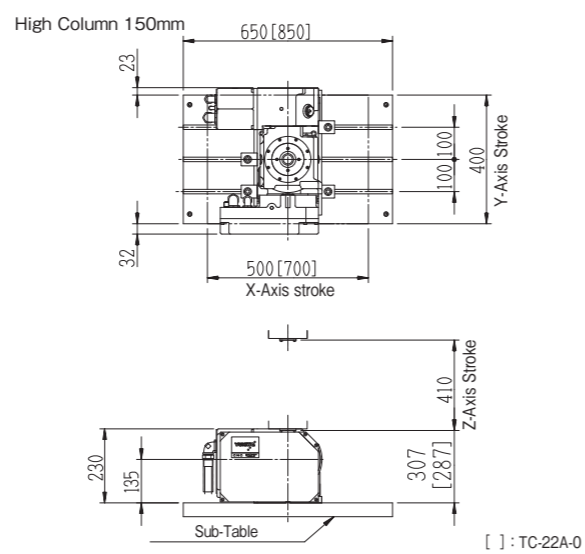
TC-22A, TC-22A-0

YNC(P)200L-BTC33



[] : TC-22A-0

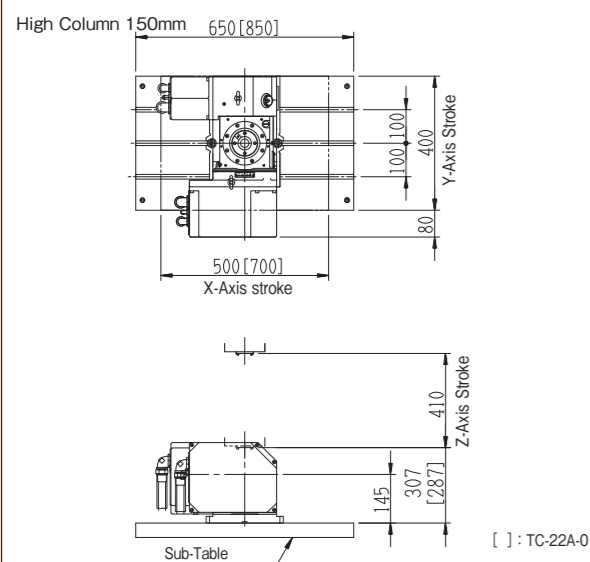
TNT100L-BTC3



[] : TC-22A-0

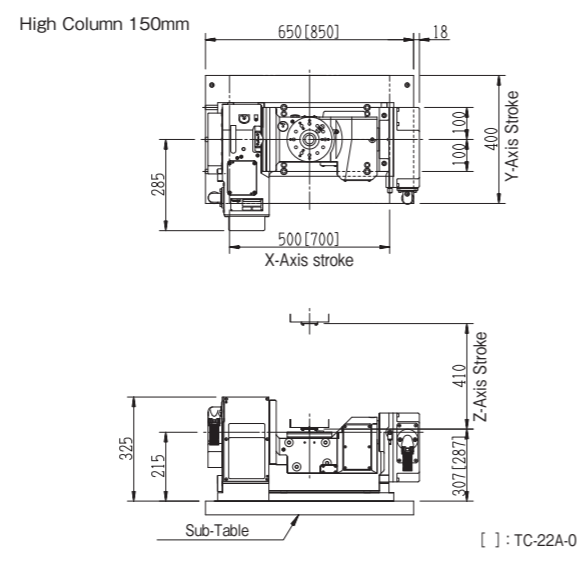
TC-22A, TC-22A-0

TNT130L-BTC3



[] : TC-22A-0

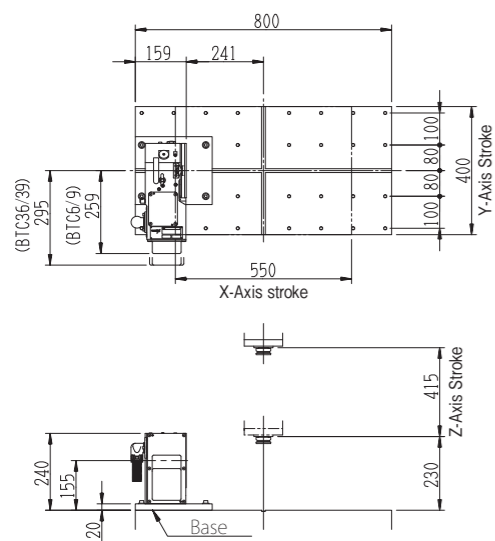
TRB(H)140L-BTC3



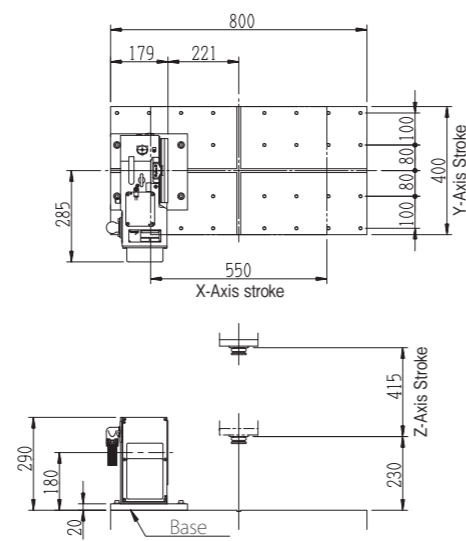
[] : TC-22A-0

TC-32B FT, TC-32BN FT

JNC170L-BTC6/9
JNC(H)170L-BTC36/39

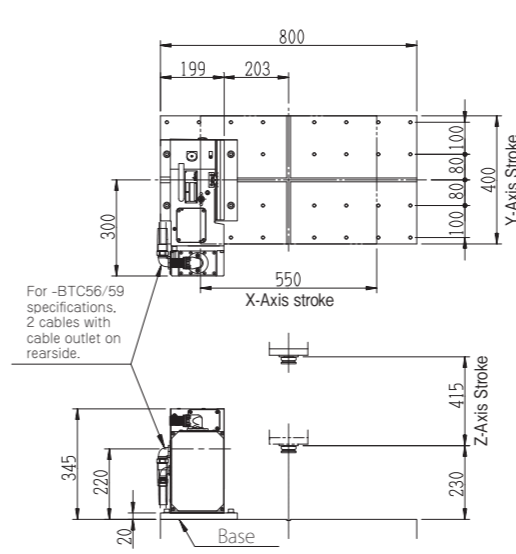


JNC(H)200L-BTC36/39

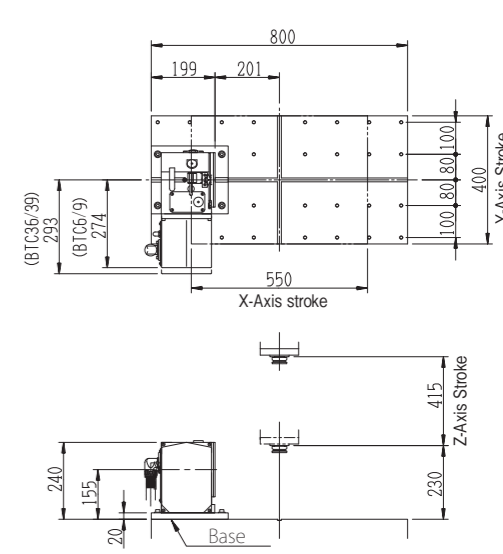


TC-32B FT, TC-32BN FT

JNC250L-BTC36/39
JNC(H)250L-BTC56/59

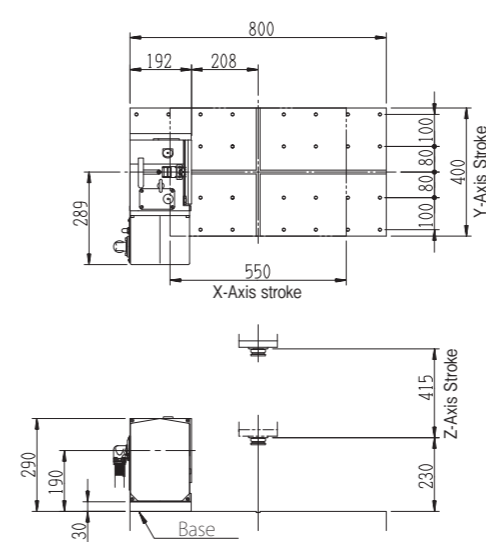


YNC(P)170L-BTC6/36/9/39

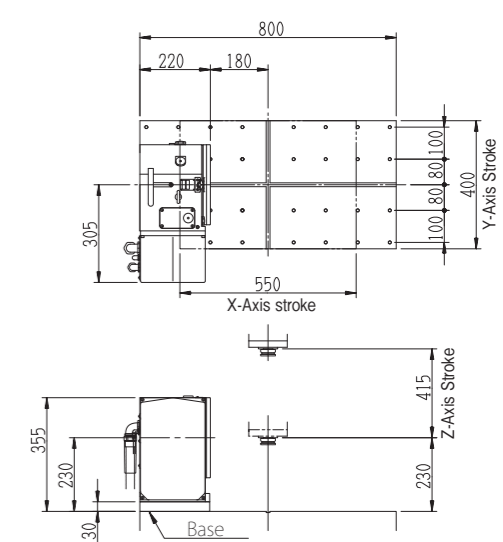


TC-32B FT, TC-32BN FT

YNC(P)200L-BTC36/56/39/59

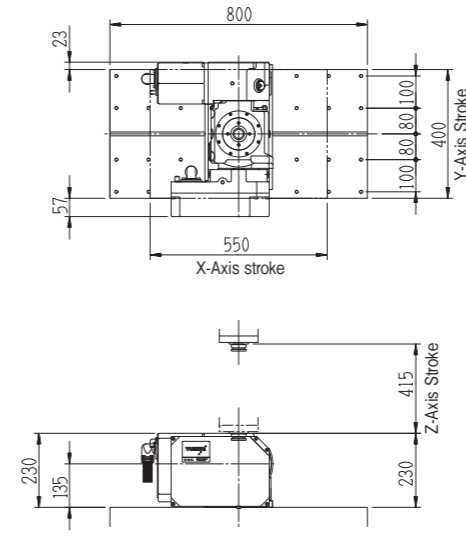


YNC(P)250L-BTC56/59

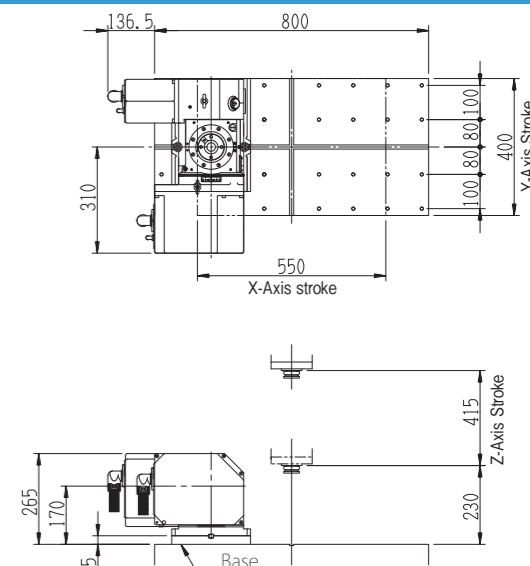


TC-32B FT, TC-32BN FT

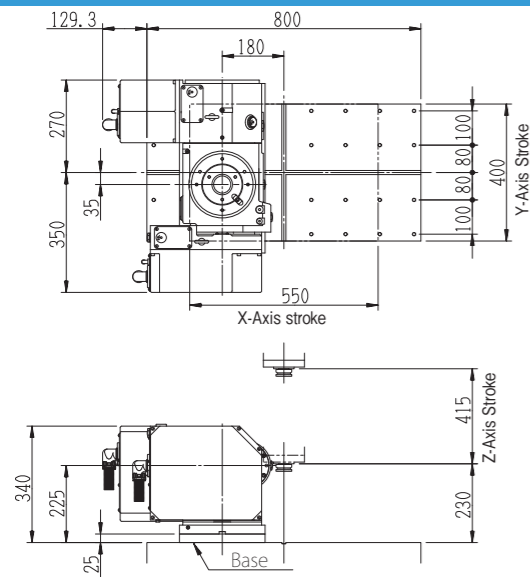
TNT100L-BTC6/9



TNT130L-BTC6/9

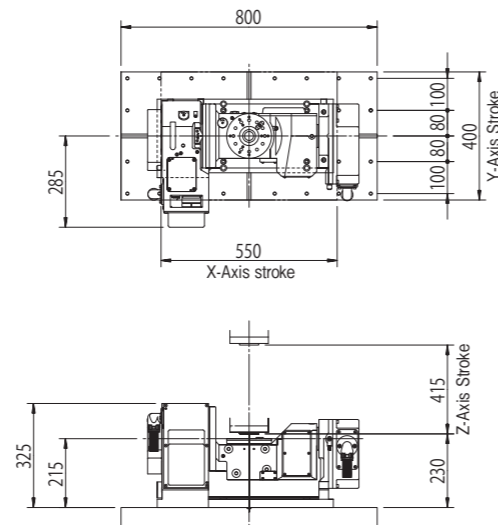


TNT180L-BTC36/39

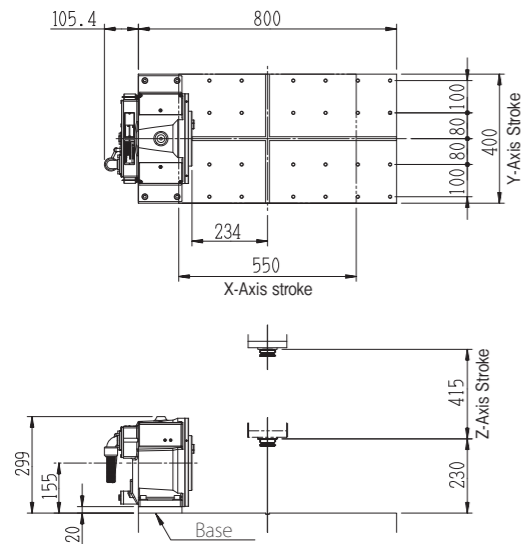


TC-32B FT, TC-32BN FT

TRB(H)140L-BTC6/9

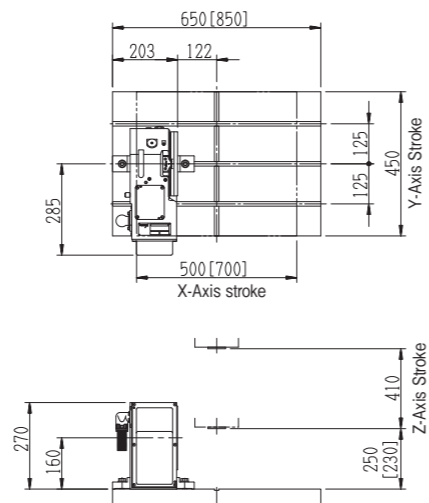


DRA170-BTC36/39



TC-32B FT, TC-32BN FT

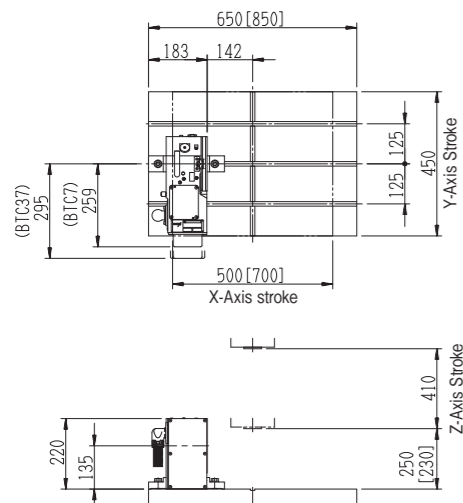
JNC(H)200L-BTC37



[] : TC-22B-0

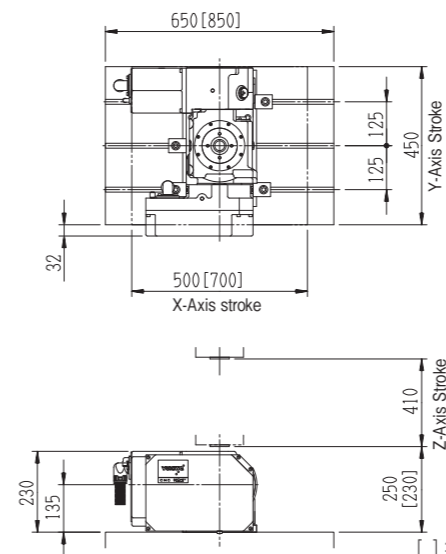
[] : TC-22B-0

JNC170L-BTC7
JNC(H)170L-BTC37



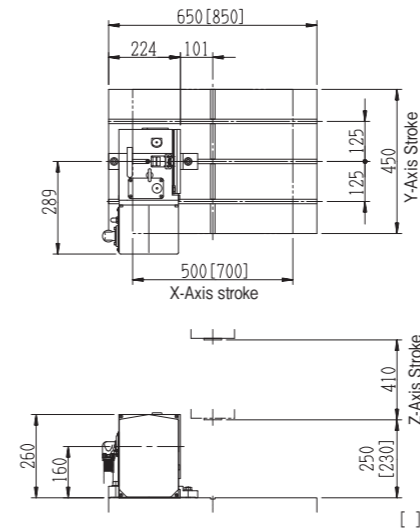
[] : TC-22B-0

TNT100L-BTC7



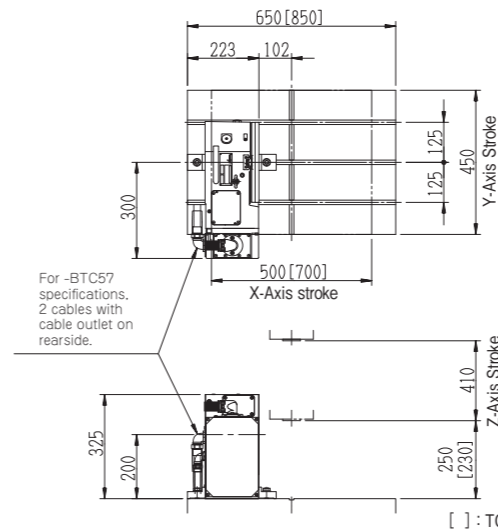
[] : TC-22B-0

YNC(P)200L-BTC37/57



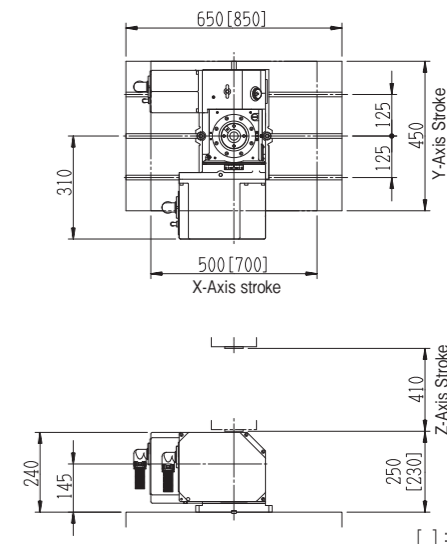
[] : TC-22B-0

JNC250L-BTC37
JNC(H)250L-BTC57



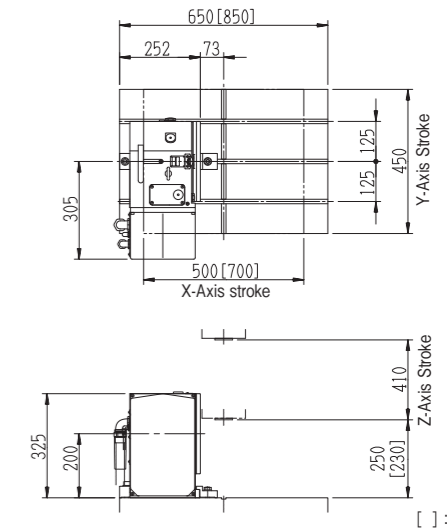
[] : TC-22B-0

TNT130L-BTC7



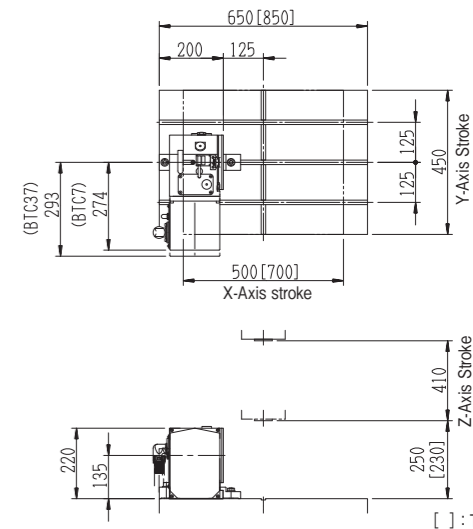
[] : TC-22B-0

YNC(P)250L-BTC57



[] : TC-22B-0

YNC(P)170L-BTC7/37



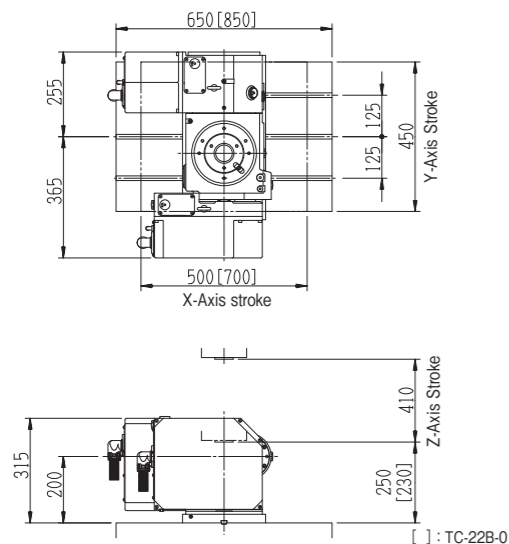
[] : TC-22B-0

TC-22B, TC-22B-O

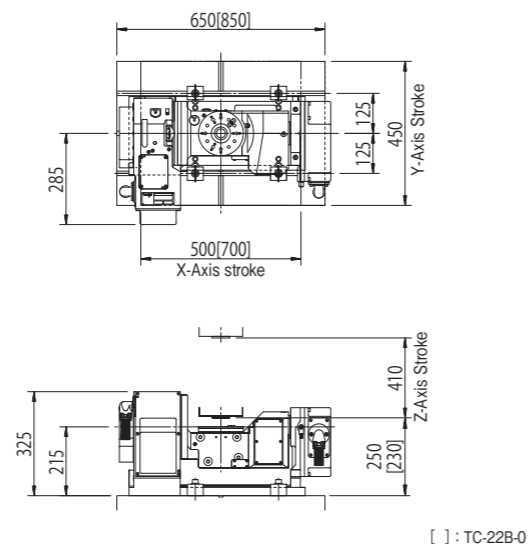
TC-22B, TC-22B-O

TC-22B, TC-22B-O

TNT180L-BTC37

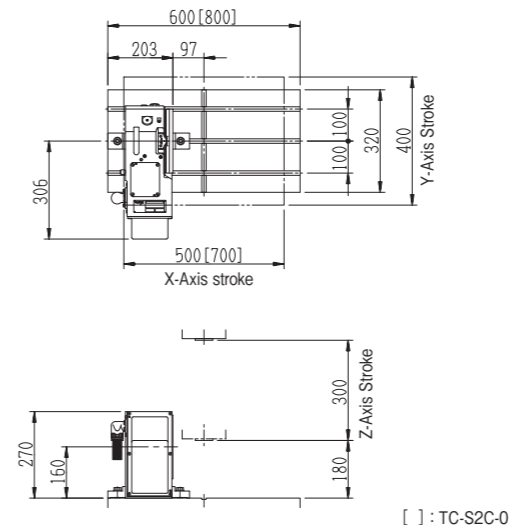


TRB(H)140L-BTC7

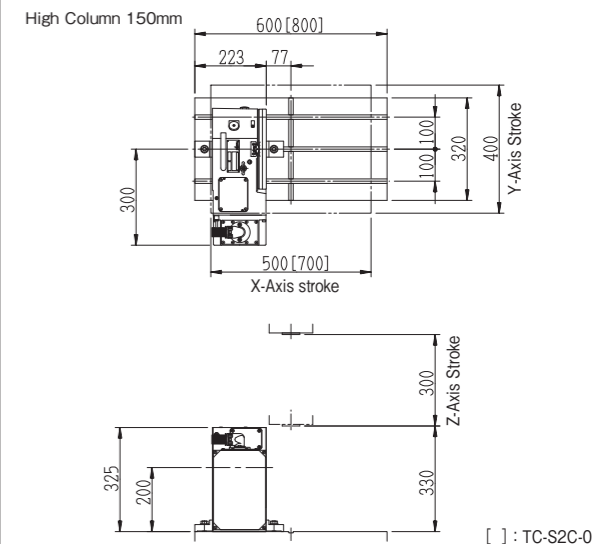


TC-S2C, TC-S2C-O, TC-S2C-S

JNC(H)200L-BTC38

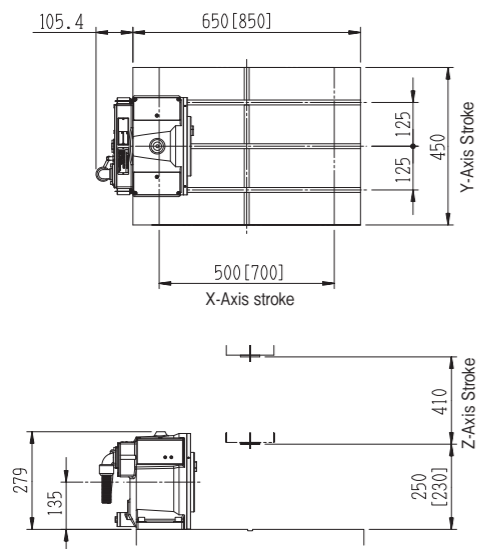


JNC250L-BTC38



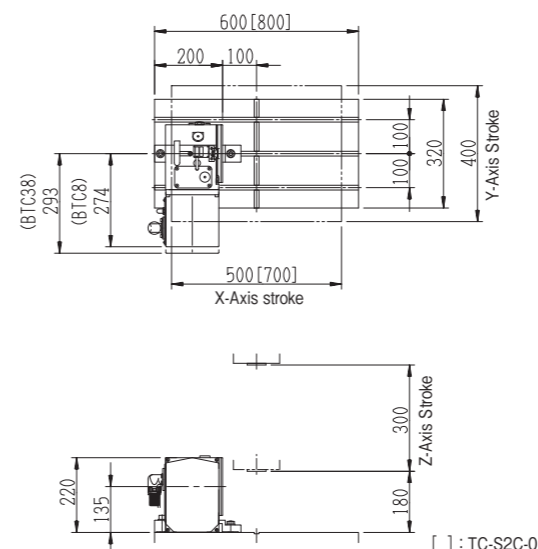
TC-22B, TC-22B-O

DRA170-BTC37

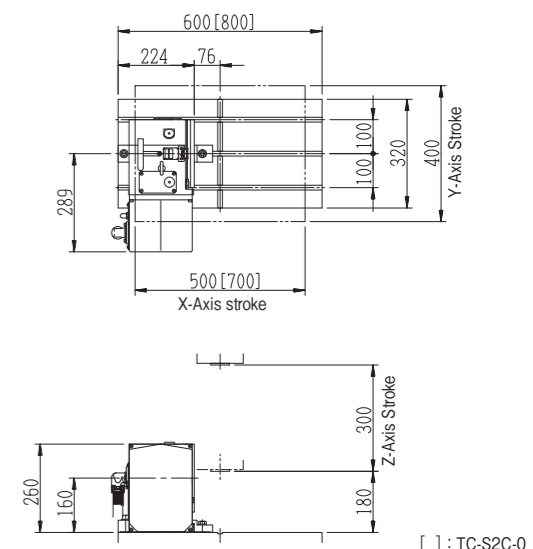


TC-S2C, TC-S2C-O, TC-S2C-S

YNC(P)170L-BTC8/38

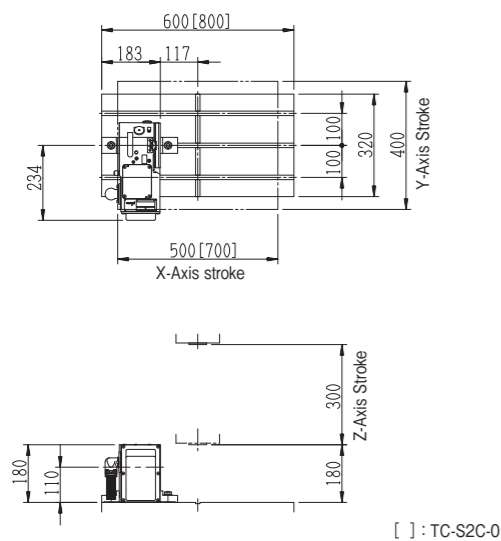


YNC(P)200L-BTC38

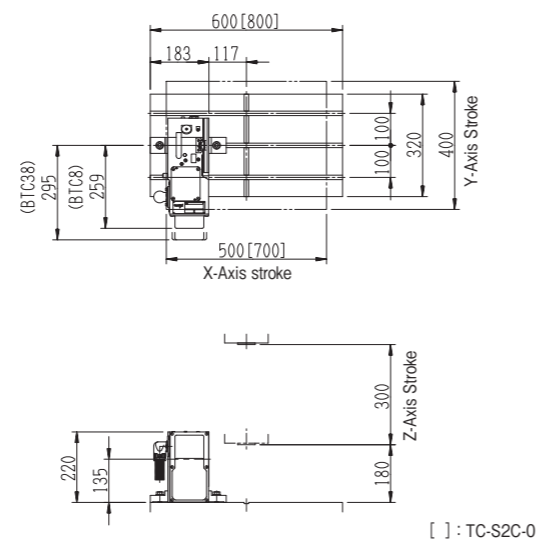


TC-S2C, TC-S2C-O, TC-S2C-S

JNC140L-BTC8

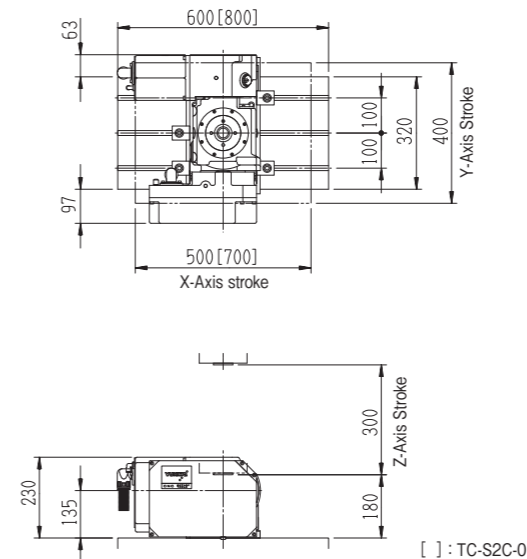


JNC170L-BTC8
JNC(H)170L-BTC38



TC-S2C, TC-S2C-O, TC-S2C-S

TNT100L-BTC8



TNT130L-BTC8

