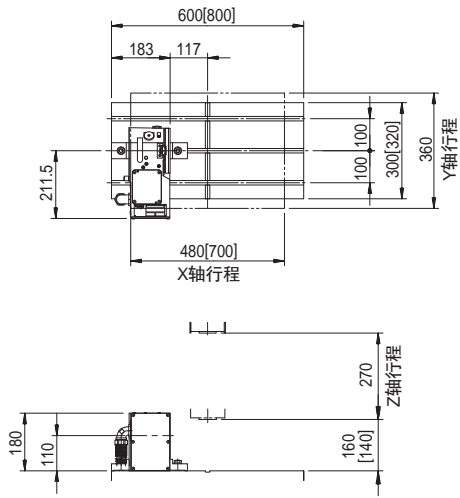


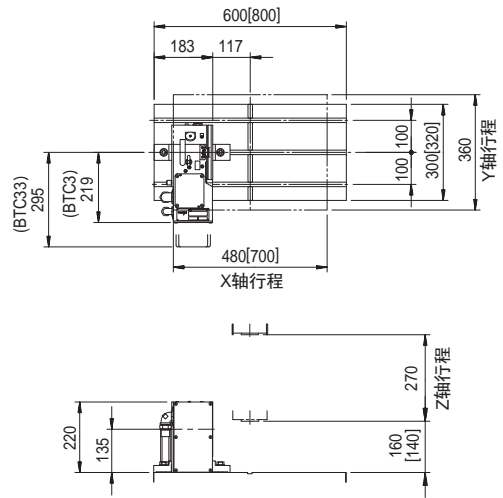
TC-S2A, TC-S2A-O, TC-S2B, TC-S2B-O

JNC140L-BTC3



[]: TC-S2A (B) -O

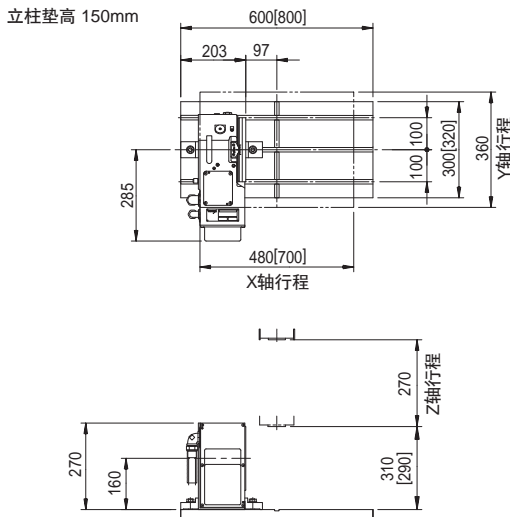
**JNC170L-BTC3
JNC(H)170L-BTC33**



[]: TC-S2A (B) -O

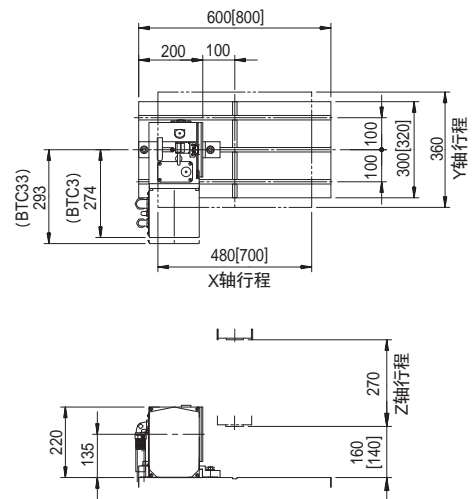
TC-S2A, TC-S2A-O, TC-S2B, TC-S2B-O

JNC(H)200L-BTC33



[]: TC-S2A (B) -O

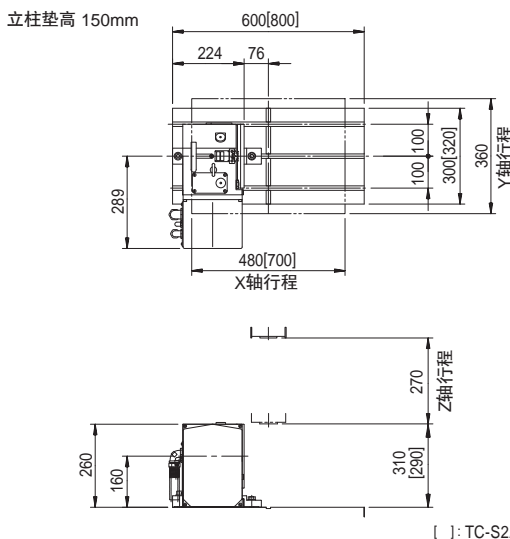
YNC(P)170L-BTC3/33



[]: TC-S2A (B) -O

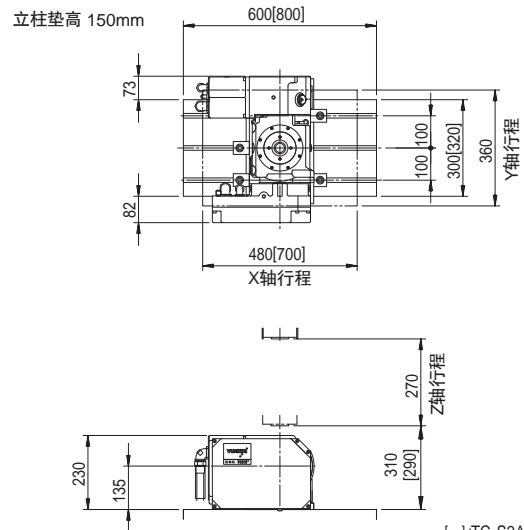
TC-S2A, TC-S2A-O, TC-S2B, TC-S2B-O

YNC(P)200L-BTC33



[]: TC-S2A (B) -O

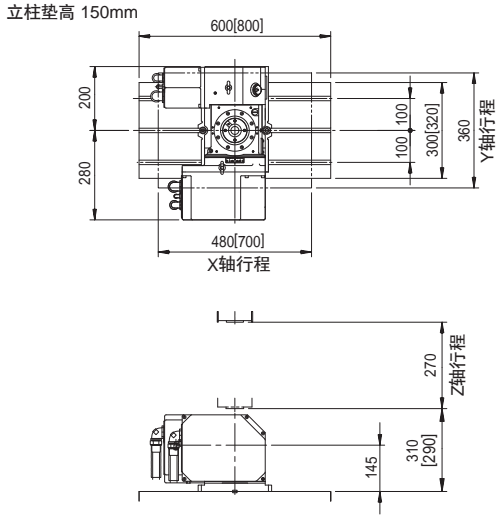
TNT100L-BTC3



[]: TC-S2A (B) -O

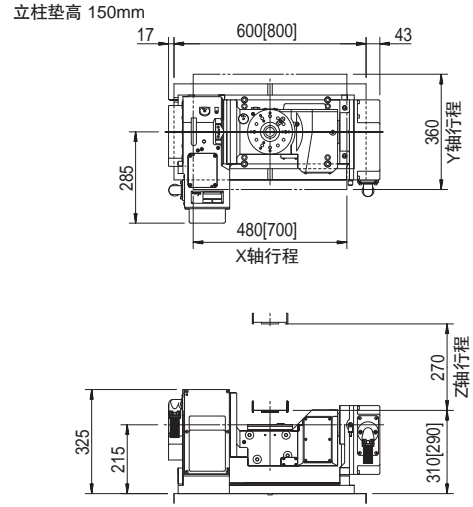
TC-S2A, TC-S2A-O, TC-S2B, TC-S2B-O

TNT130L-BTC3



[]: TC-S2A (B) -O

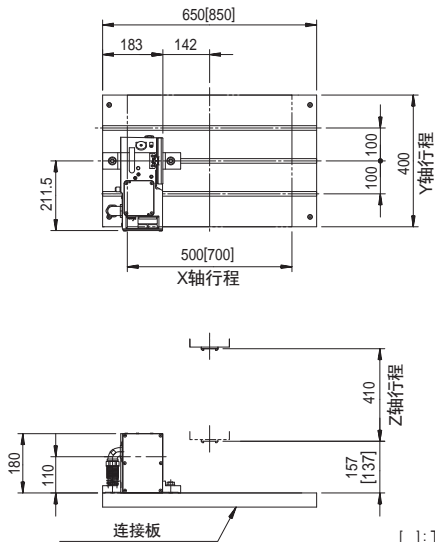
TRB(H)140L-BTC3



[]: TC-S2A (B) -O

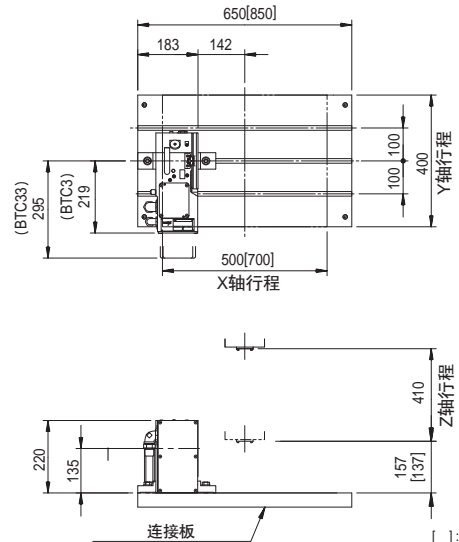
TC-22A, TC-22A-O

JNC140L-BTC3



[]: TC-22A-O

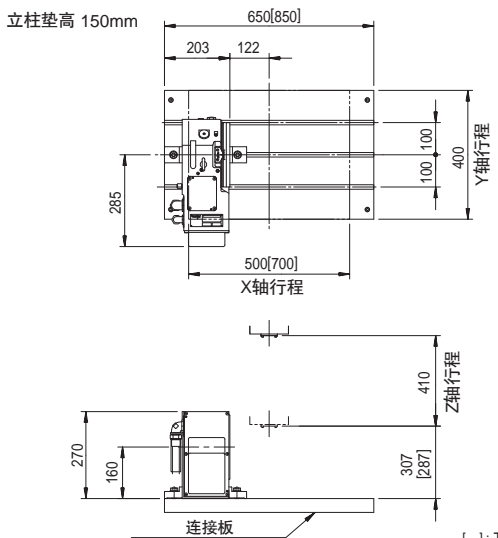
JNC170L-BTC3
JNC(H)170L-BTC33



[]: TC-22A-O

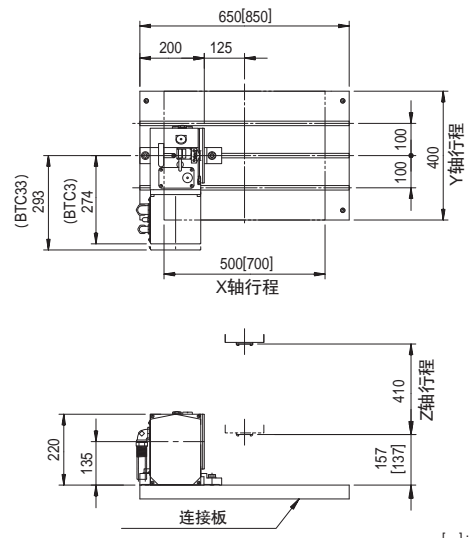
TC-22A, TC-22A-O

JNC(H)200L-BTC33



[]: TC-22A-O

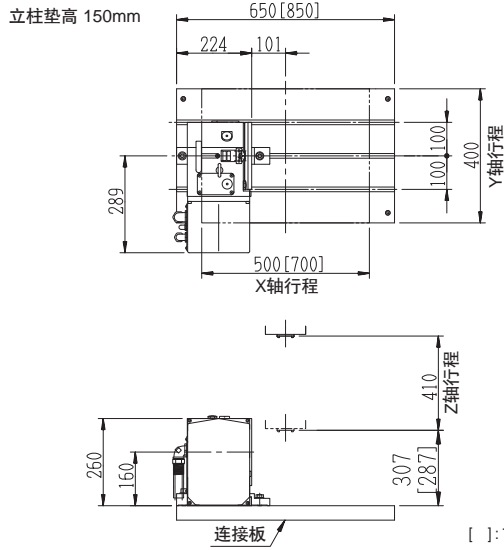
YNC(P)170L-BTC3/33



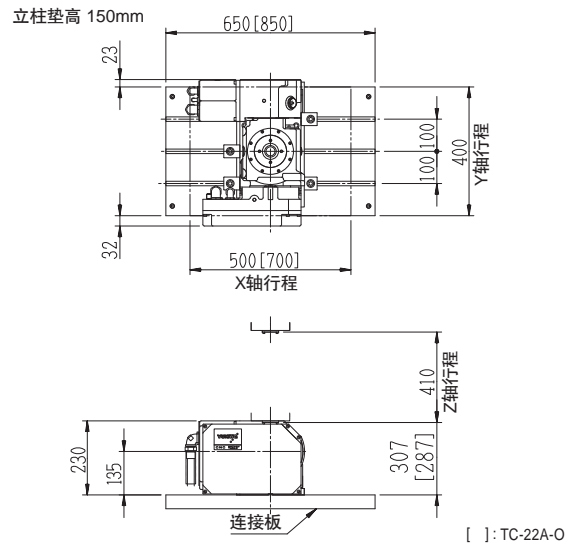
[]: TC-22A-O

TC-22A, TC-22A-O

YNC(P)200L-BTC33

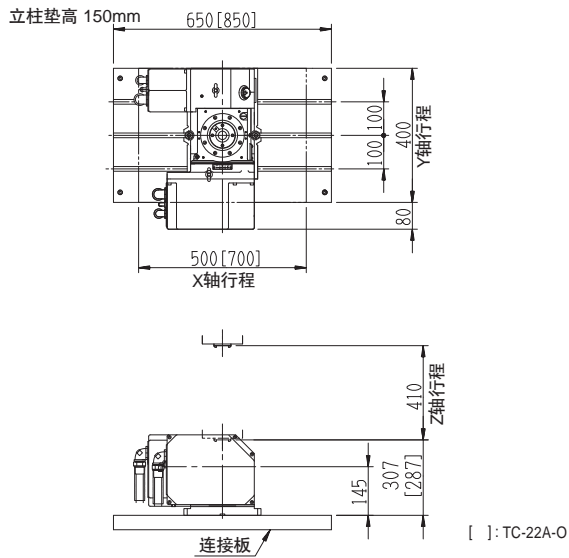


TNT100L-BTC3

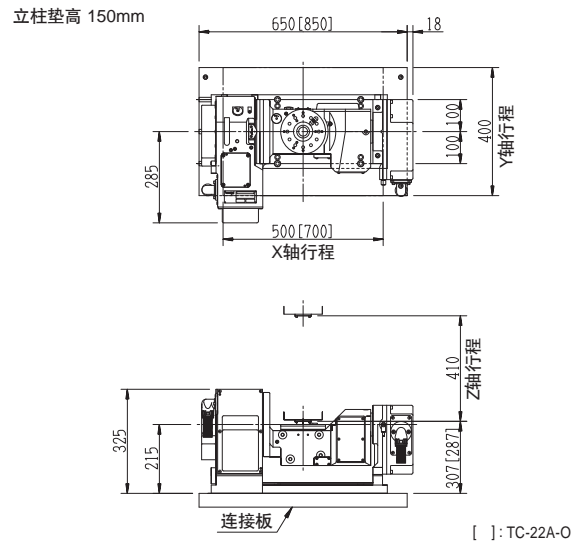


TC-22A, TC-22A-O

TNT130L-BTC3

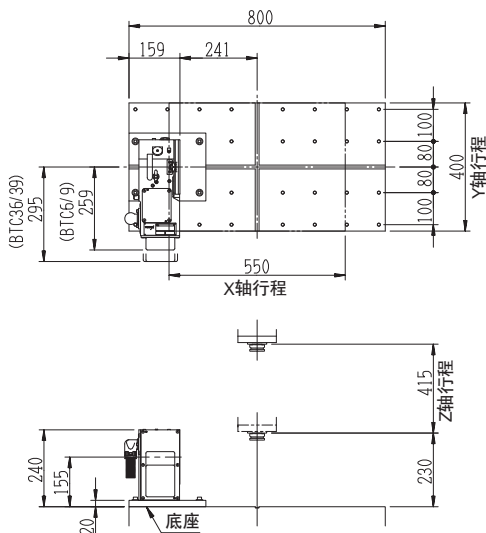


TRB(H)140L-BTC3

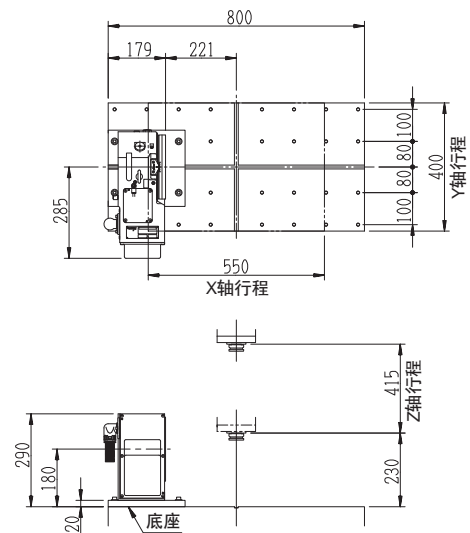


TC-32B FT, TC-32BN FT

**JNC170L-BTC6/9
JNC(H)170L-BTC36/39**

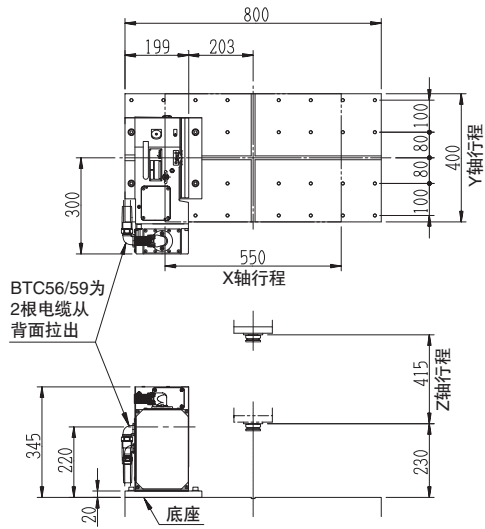


JNC(H)200L-BTC36/39

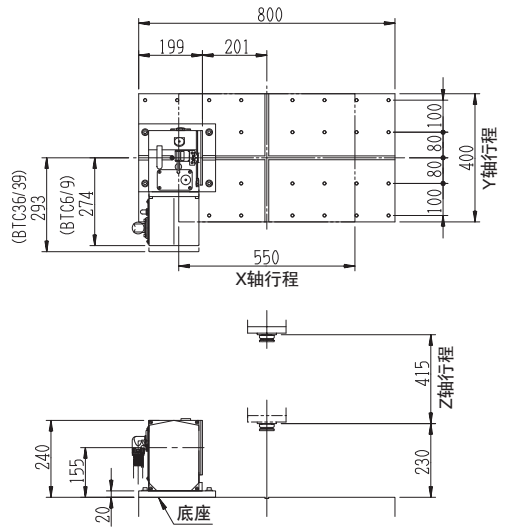


TC-32B FT, TC-32BN FT

JNC250L-BTC36/39
JNC(H)250L-BTC56/59

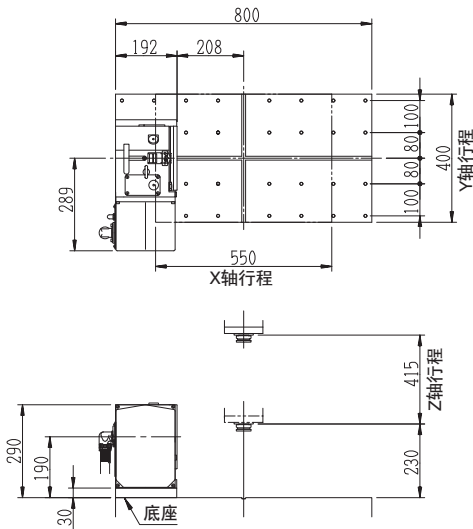


YNC(P)170L-BTC6/36/9/39

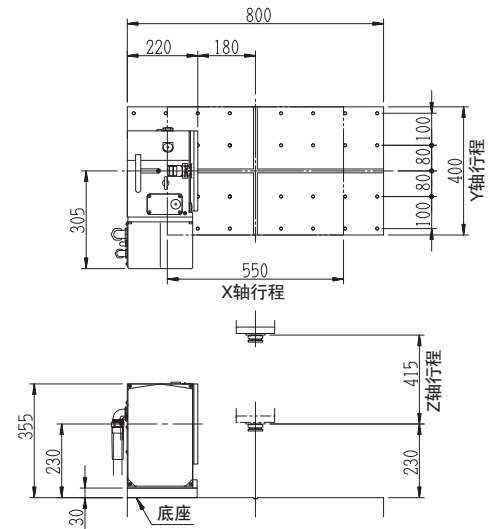


TC-32B FT, TC-32BN FT

YNC(P)200L-BTC36/56/39/59

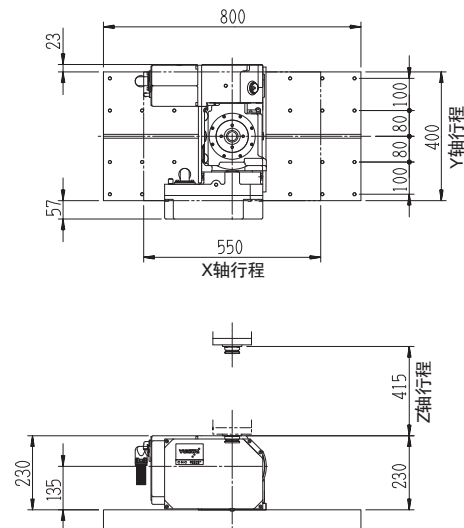


YNC(P)250L-BTC56/59

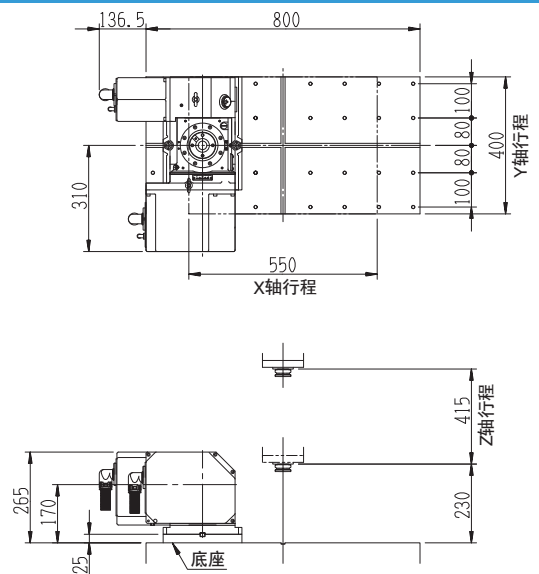


TC-32B FT, TC-32BN FT

TNT100L-BTC6/9

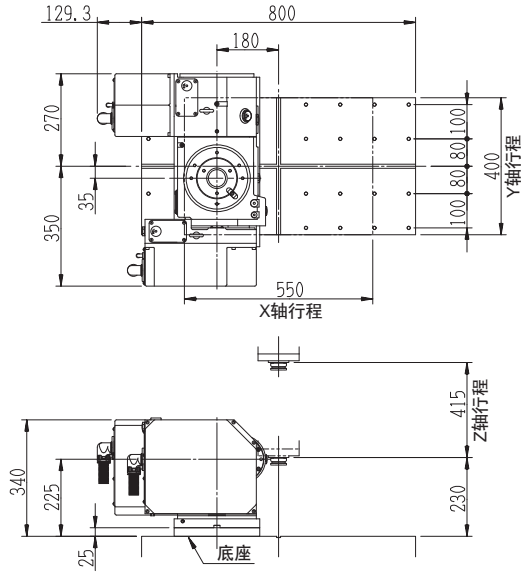


TNT130L-BTC6/9

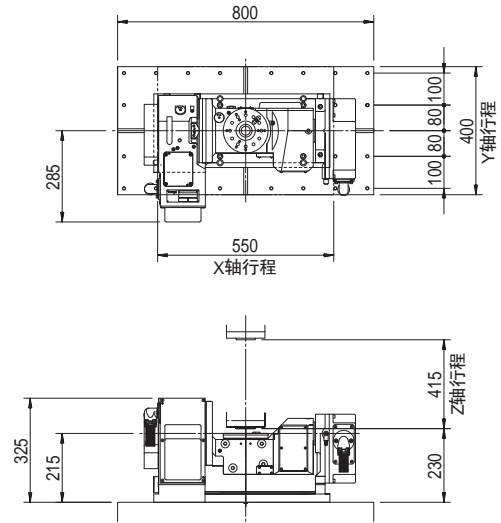


TC-32B FT, TC-32BN FT

TNT180L-BTC36/39

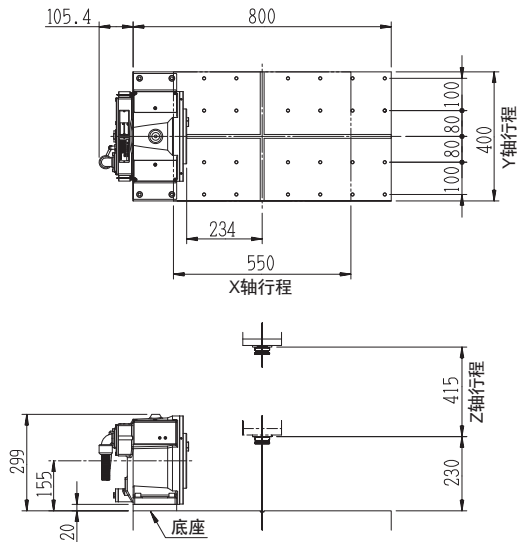


TRB(H)140L-BTC6/9



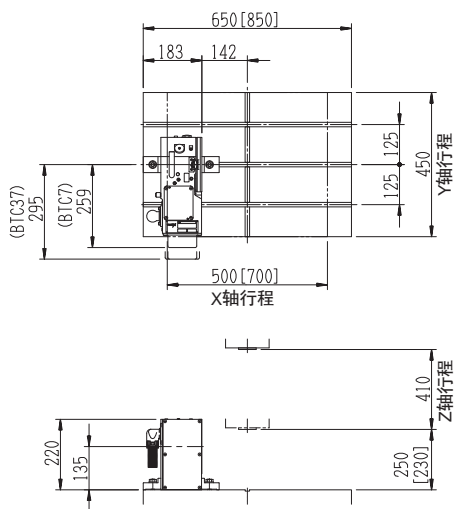
TC-32B FT, TC-32BN FT

DRA170-BTC36/39



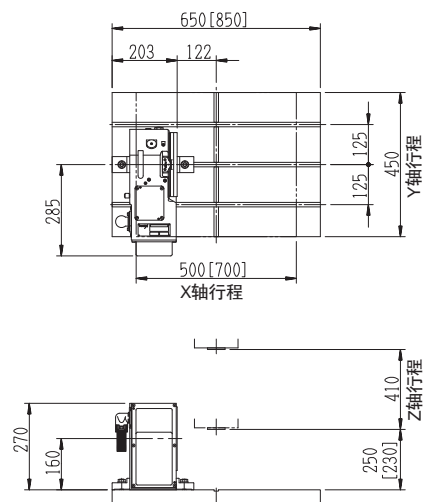
TC-22B, TC-22B-0

**JNC170L-BTC7
JNC(H)170L-BTC37**



[]: TC-22B-0

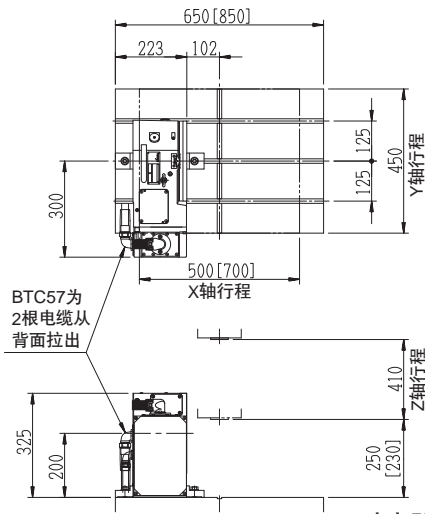
JNC(H)200L-BTC37



[]: TC-22B-0

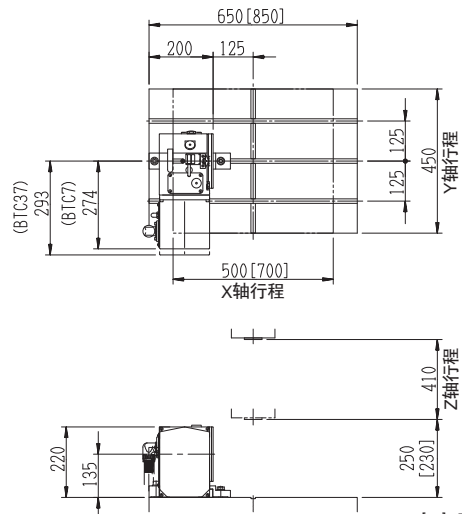
TC-22B, TC-22B-0

JNC250L-BTC37
JNC(H)250L-BTC57



[]: TC-22B-0

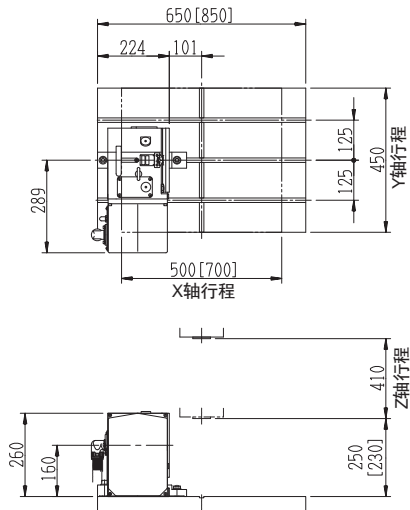
YNC(P)170L-BTC7/37



[]: TC-22B-0

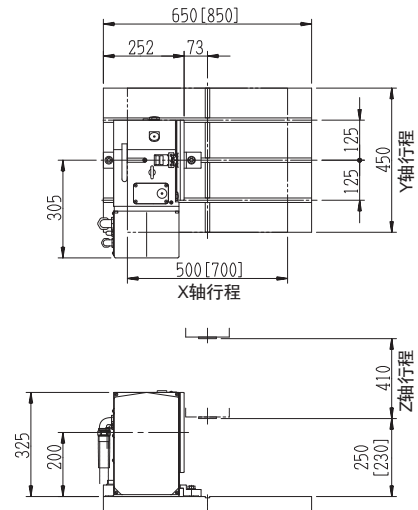
TC-22B, TC-22B-0

YNC(P)200L-BTC37/57



[]: TC-22B-0

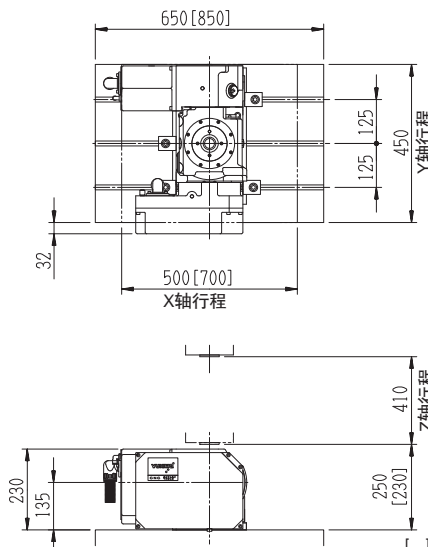
YNC(P)250L-BTC57



[]: TC-22B-0

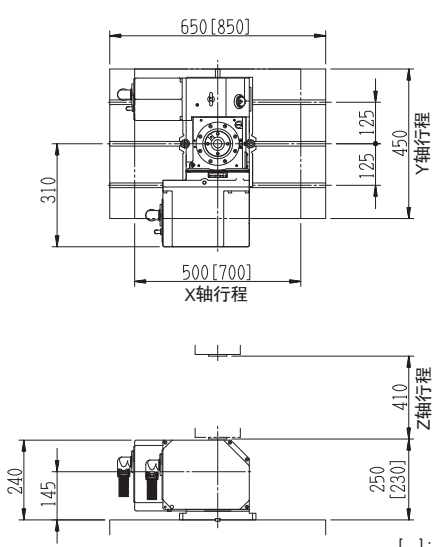
TC-22B, TC-22B-0

TNT100L-BTC7



[]: TC-22B-0

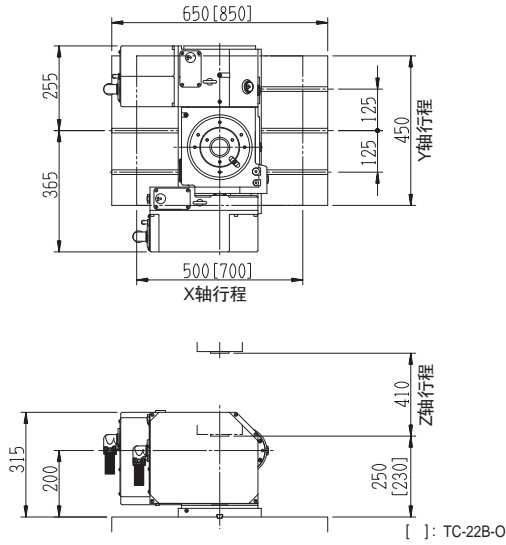
TNT130L-BTC7



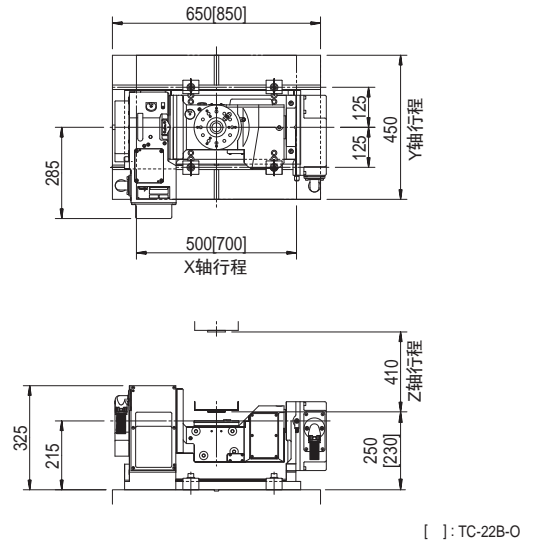
[]: TC-22B-0

TC-22B, TC-22B-0

TNT180L-BTC37

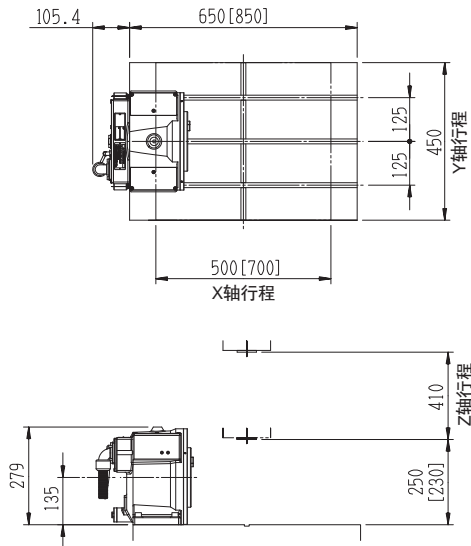


TRB(H)140L-BTC7



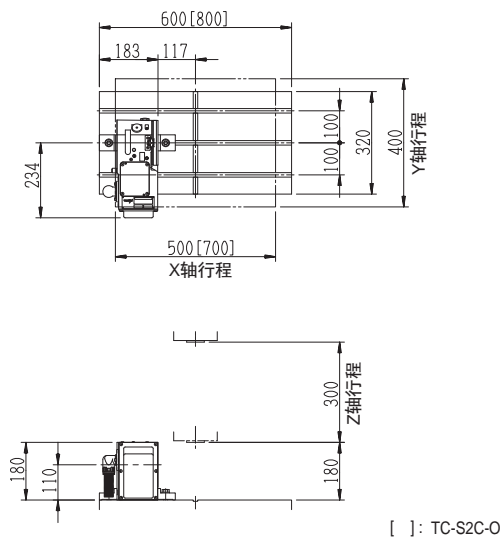
TC-22B, TC-22B-0

DRA170-BTC37

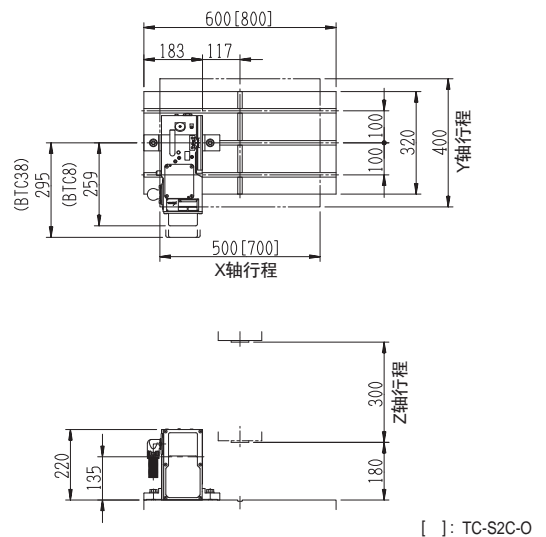


TC-S2C, TC-S2C-0, TC-S2C-S

JNC140L-BTC8

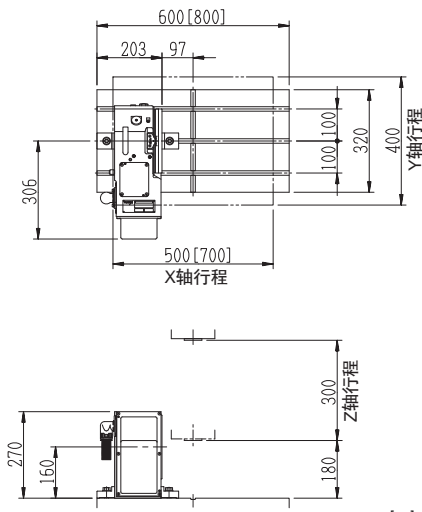


**JNC170L-BTC8
JNC(H)170L-BTC38**



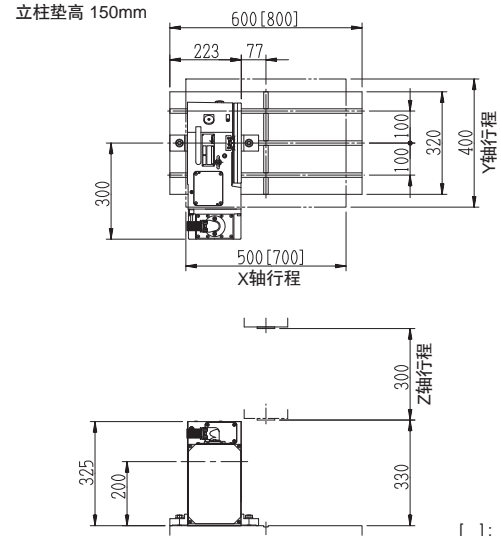
TC-S2C, TC-S2C-O, TC-S2C-S

JNC(H)200L-BTC38



[] : TC-S2C-O

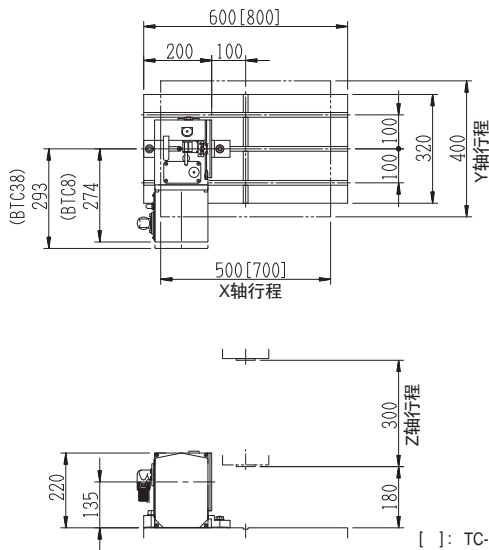
JNC250L-BTC38



[] : TC-S2C-O

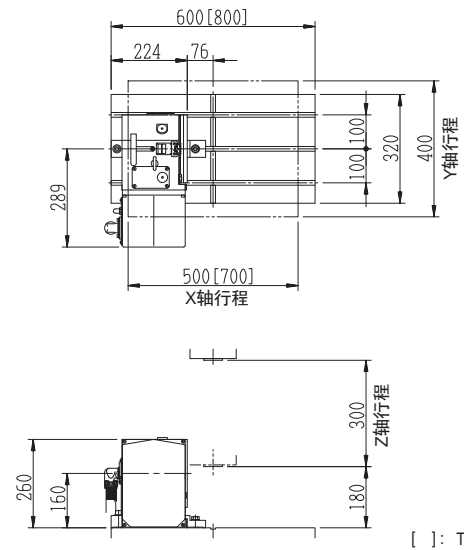
TC-S2C, TC-S2C-O, TC-S2C-S

YNC(P)170L-BTC8/38



[] : TC-S2C-O

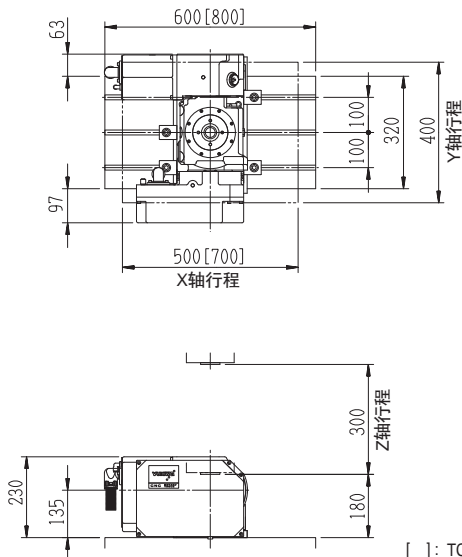
YNC(P)200L-BTC38



[] : TC-S2C-O

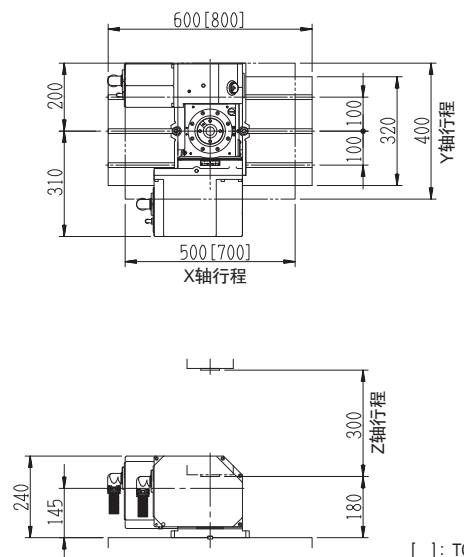
TC-S2C, TC-S2C-O, TC-S2C-S

TNT100L-BTC8



[] : TC-S2C-O

TNT130L-BTC8



[] : TC-S2C-O